

#### ABOUT TIMES-7

Times-7 is a high-tech company specialising in the design and manufacture of RAIN (UHF) RFID antennas, based in Lower Hutt, New Zealand. We export all over the world either direct or through our distributor, authorized reseller and integrated solutions provider network. Our brand is well-established in the global RFID market, and we are known for high quality and reliability, as well as our significant RF expertise.

Founded in 2006, Times-7 has developed the largest portfolio of fixed RAIN RFID reader antennas. As well as standard antennas for all applications, Times-7 also offers a custom antenna development service, when the requirements are not fully satisfied by our catalogue antennas.

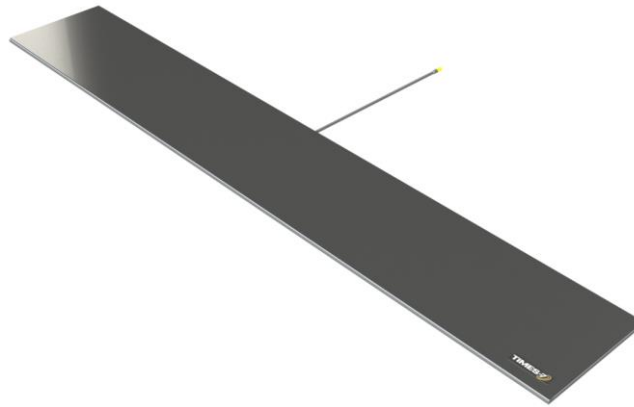
Times-7 Research Ltd  
29 Railway Avenue  
Lower Hutt 5010  
New Zealand

NEW Zealand  
P: +64 4 974 6566

USA/CANADA  
P: +1 408 769 5025

E: [sales@times-7.com](mailto:sales@times-7.com)

[www.times-7.com](http://www.times-7.com)



The A5531 Ground Antenna

Ultra-low profile ground antenna

Just 10 mm / 0.4 in. thick

Typical applications:  
Conference attendee & people tracking, retail marketing, race & event timing

Part of the Times-7 unique and exclusive range of ground antennas, the A5531 is a high-performance ground antenna optimised for applications involving moving products, assets and people. From conference attendee & people tracking, retail presence aware / loyalty marketing, & race timing, the A5531 is ideal for situations where traditional side antennas are unsuitable or non-optimised for the application.

At just 10 mm / 0.4 in. thick, the durable, high performance A5531 is uniquely capable of lying flat on the ground and spans 1.2m / 4ft and can withstand payloads of over 200 kg (440 lbs.).

#### Payload Information

This ground antenna is designed to support moderate loads, such as hand trolleys and carts with rubber wheels, runners, bicyclists, and occasional vehicular traffic with pneumatic tires, etc. Care must be taken to ensure the antenna is installed on a smooth, hard, flat surface. Ensure that the antenna surface is not damaged from sharp objects such as steel-edged wheels, stone chips or glass fragments, etc. Any point load must not exceed 100 psi (7 kg/cm<sup>2</sup>) and the maximum distributed load on the antenna should not exceed 1100lb (500kg).

## Specifications

### Physical / Environmental Specifications

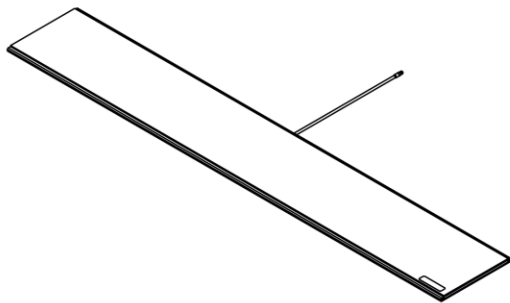
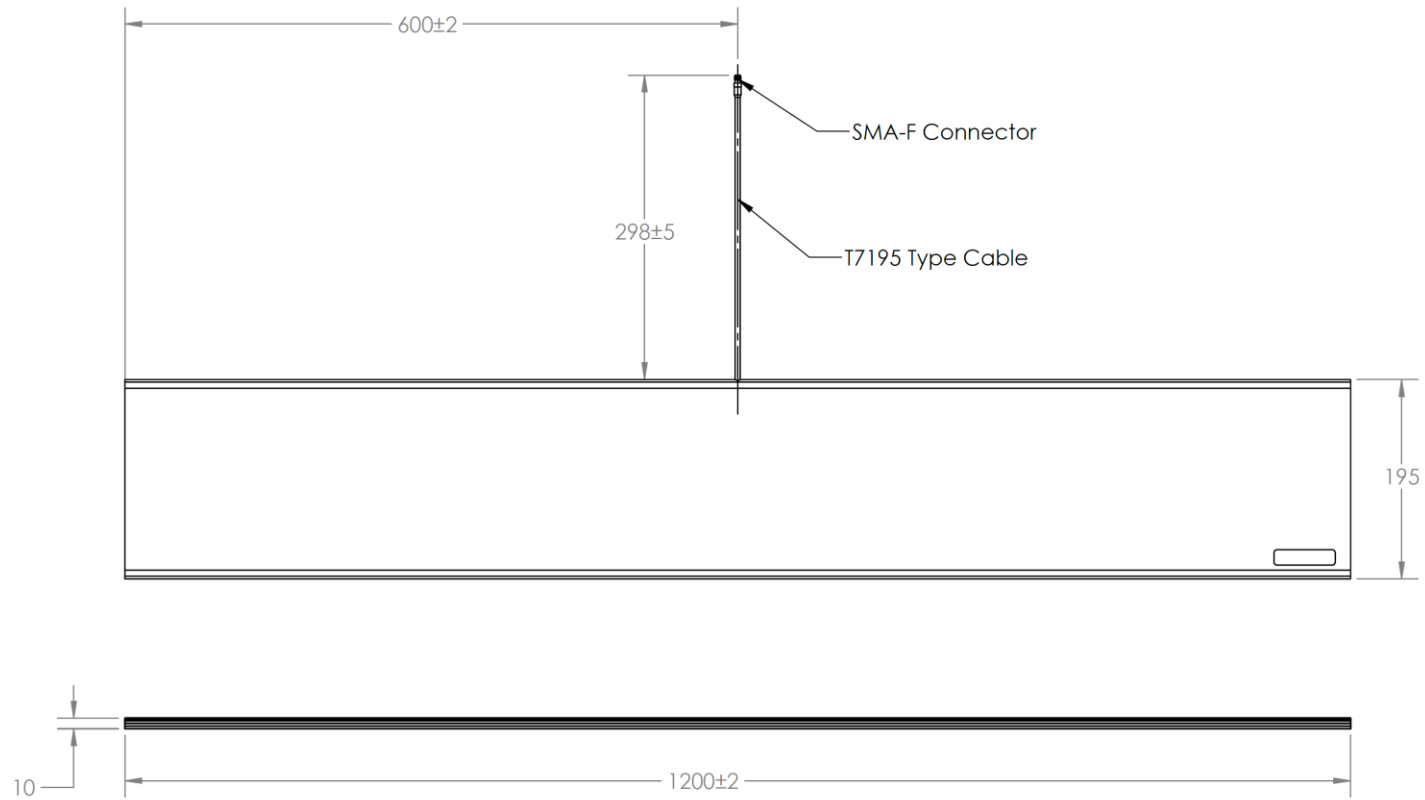
Specifications	A5531C	A5531L	
		A5531V	A5531H
Dimensions Length (x) x Width (y) x Depth (z)	1200 mm x 195 mm x 10 mm 47.24" x 7.67" x 0.39"		
Boxed unit dimensions: (L x W x D)	1380 mm x 330 mm x 40 mm 51.18" x 13" x 1.57"		
Weight:	Net: 2.7 kg / 5.9 lbs. Gross: 3.8 Kg / 8.37 lbs.		
Radome Material:	Fire retardant ABS		
Environmental Rating:	IP53		
Operating / Storage Temperature:	0° to +50°C / -30° to +60°C 32° to +122°F / -22° to +140°F		
Connector type / position:	SMA female side fly lead		
Cable type / length	195 / 298mm / 11.7"		

### Electrical Specifications

Specifications	A5531C	A5531L	
		A5531V	A5531H
Frequency Range:	864-868 MHz / 902-928 MHz		
Polarization:	RHCP (Right Hand Circular Polarised)	Vertical Linear	Horizontal Linear
Far-field Gain:	9.5 dBiC typical	10 dBi typical	10 dBi typical
Far-field 3 dB beamwidth: *	13° in XZ, 85° in YZ	25° in XZ, 70° in YZ	13° in YZ, 85° in XZ
VSWR:	2.0 typical	2.0 typical	2.5 typical
Front to back ratio:	-18 dB	-20 dB	-18 dB
Nominal Impedance:	50 Ω		
Anti-static protection:	Yes, DC grounded		
Antenna Detection	10 k Ω resistance		
Maximum Input Power:	3 W		

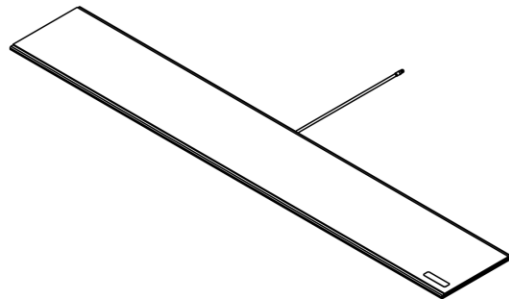
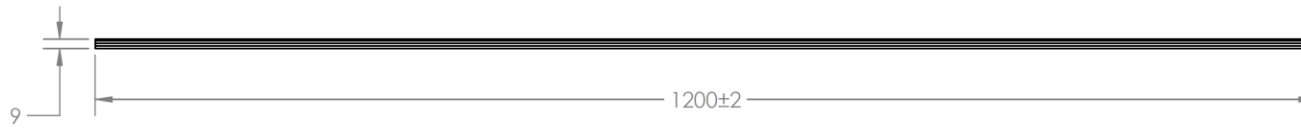
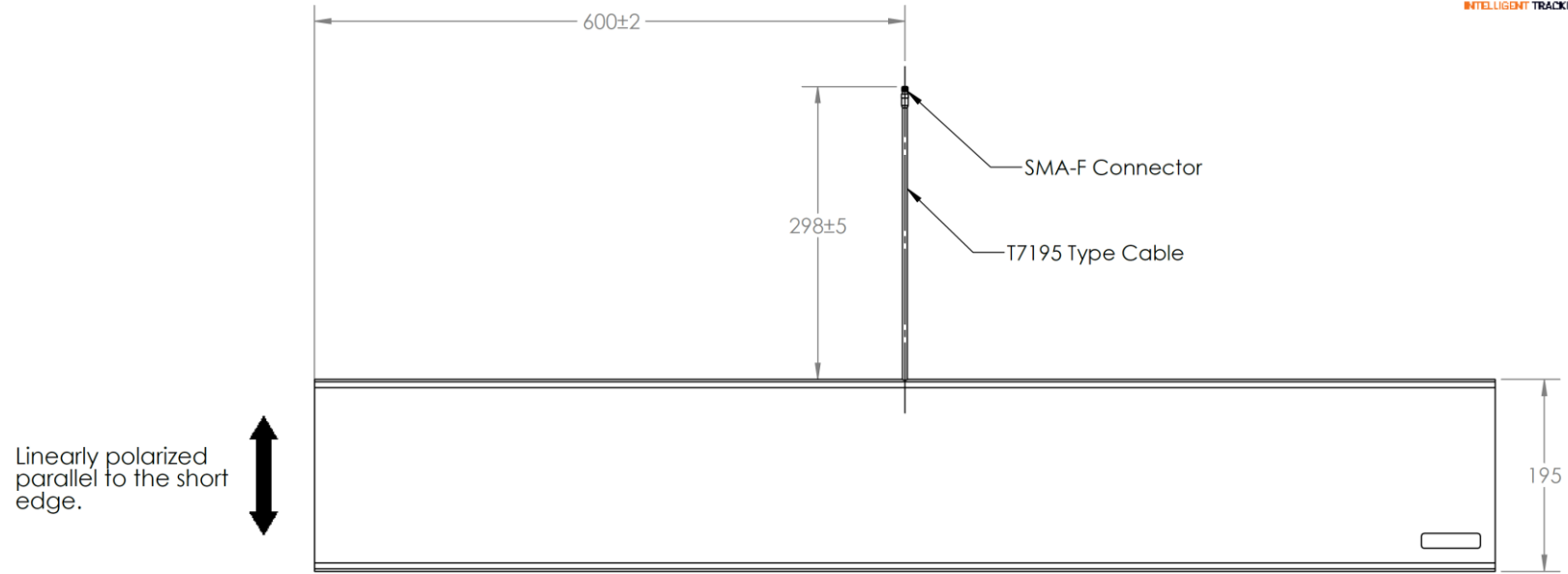
\*View the A5531 Azimuth Planes [here](#)

# Mechanical Drawing for the A5531C



THE INFORMATION CONTAINED IN THIS DRAWING IS THE SOLE PROPERTY OF TIMES-7 LTD. ANY REPRODUCTION IN PART OR AS A WHOLE WITHOUT THE WRITTEN PERMISSION OF TIMES-7 IS PROHIBITED.		DIMENSIONS ARE IN mm UNLESS OTHERWISE SPECIFIED TOLERANCES: NO DECIMAL PLACES ± 1 ONE PLACE DECIMAL ± 0.5				DESCRIPTION A5531C Antenna	
DRAWN C Wilson	SIGNATURE 	DATE 05/08/2019	SIZE <b>A3</b>	PART NO. 71846(ETSI)/71741(FCC)	REV <b>B</b>	DO NOT SCALE DRAWING	
APPROVED R Lopez	SIGNATURE 	DATE 07/08/2019	SHEET 1 OF 1				

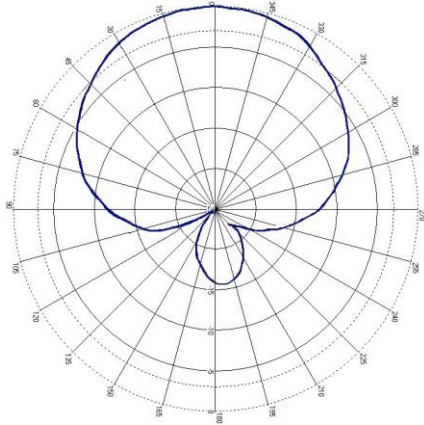
# Mechanical Drawing for the A5531V



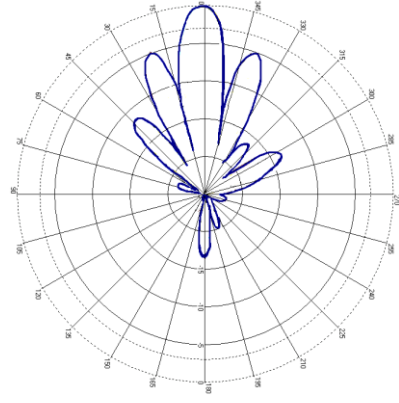
<small>THE INFORMATION CONTAINED IN THIS DRAWING IS THE SOLE PROPERTY OF TIMES-7 LTD. ANY REPRODUCTION IN PART OR AS A WHOLE WITHOUT THE WRITTEN PERMISSION OF TIMES-7 IS PROHIBITED.</small>		<small>DIMENSIONS ARE IN mm UNLESS OTHERWISE SPECIFIED TOLERANCES: NO DECIMAL PLACES ± 1 ONE PLACE DECIMAL ± 0.5</small>				DESCRIPTION <h3>A5531V Antenna</h3>	
DRAWN C Wilson	SIGNATURE 	DATE 05/08/2019	SIZE <b>A3</b>	PART NO. 71103(ETSI)/71100(FCC)	REV <b>B</b>	DO NOT SCALE DRAWING	
APPROVED R Lopez	SIGNATURE 	DATE 07/08/2019	SHEET 1 OF 1				

*Electric Field Radiation Pattern*

**A5531C**

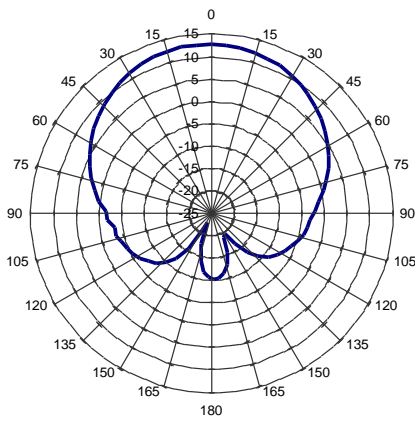


YZ-plane

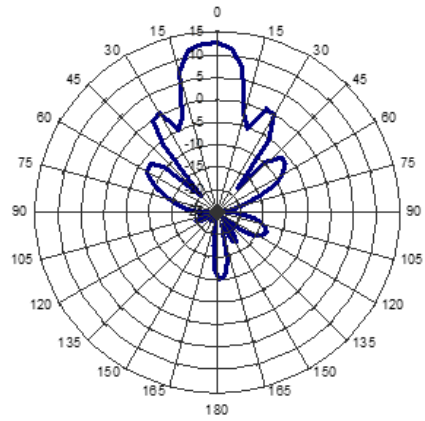


XZ-plane

**A5531V**

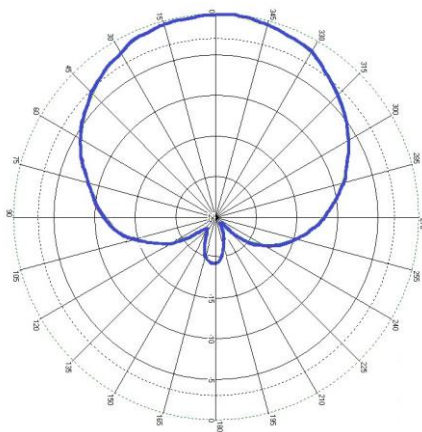


YZ-plane

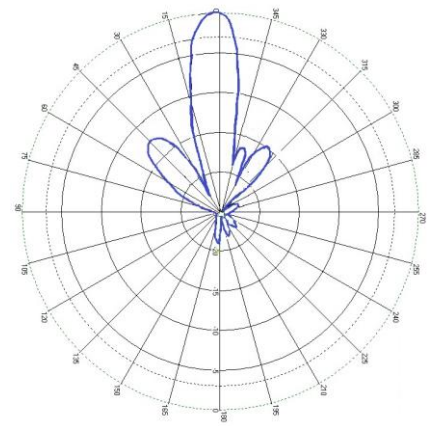


XZ-plane

**A5531H**

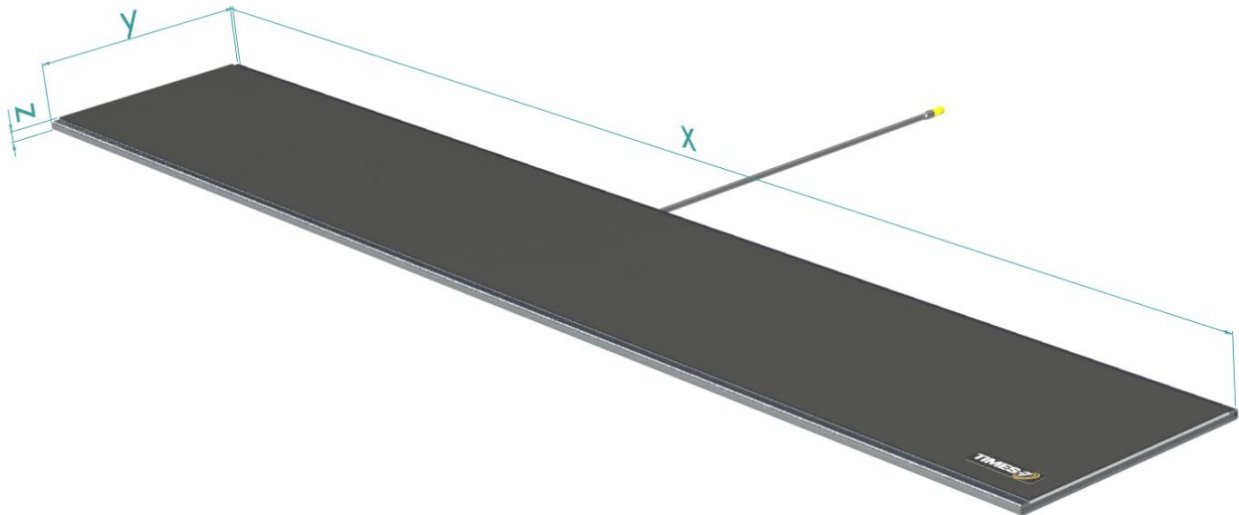


YZ-plane



XZ-plane

## Azimuth Planes



## Ordering Information

**Ordering Information (please quote product code, band / cable type & part no.)**

*Antennas Product Code	Band	Part No.
A5531C	ETSI 865-868 MHz	71846
	FCC 902-928 MHz	71741
A5531V	ETSI 865-868 MHz	71103
	FCC 902-928 MHz	71100
A5531H	ETSI 865-868 MHz	On request
	FCC 902-928 MHz	On request

\*Built in New Zealand. RoHS & CE compliant.

Cable Accessories Product Code	Cable Type	Part No.
Cable 2 m, SMA to RPTNC	T7 195 / 240 / 400	71436 / 71782 / 72042
Cable 4 m, SMA to RPTNC	T7 240 / 400	71784 / 72043
Cable 6 m, SMA to RPTNC	T7 240 / 400	71904 / 72044
Cable 8 m, SMA to RPTNC	T7 240 / 400	71788 / 72045

View the Times-7 Cable Accessory datasheet [here](#)

## Installation Instructions

- Ensure that only finger tightness is used for the SMA connector. Use of tools to tighten the connector will apply excessive force and will damage the connector.
- For any connector antenna: Avoid any load or bending force from the cable on the connector.
- We recommend covering the antenna's radome with RF transparent material for protection.

## Applications



Conference Attendee /  
People Tracking



Industrial Asset Tracking

## GLOBAL SUPPORT

In addition to our world-class products and in-depth expertise, Times-7 is known for their quality of customer service and technical support. We place emphasis on our responsiveness in supporting a large global customer base and ensuring the success of our customer's implementations.

Times-7 Research Ltd  
29 Railway Avenue  
Lower Hutt 5010  
New Zealand

NEW ZEALAND  
P: +64 4 974 6566

USA/CANADA  
P: +1 408 769 5025

E: [sales@times-7.com](mailto:sales@times-7.com)

[www.times-7.com](http://www.times-7.com)

The technical data contained in this publication is not a guarantee for which Times-7 Research Ltd assumes legal accountability. It is indicative of typical performance, and if required should be relied on for specific applications only after due verification.

All technical data, specifications and other information contained herein are deemed to be the proprietary intellectual property of Times-7 Research Ltd. No reproduction, copy or use thereof may be made without the express written consent of Times-7 Research Ltd.

Times-7, and the stylized T-7 Antennas logo are trademarks or registered trademarks of Times-7 Research Ltd. All other trademarks are the property of their respective owners.

© 2020 Times-7 Research Ltd. All rights reserved. Specifications are subject to change without notice.

Datasheet v2.0

