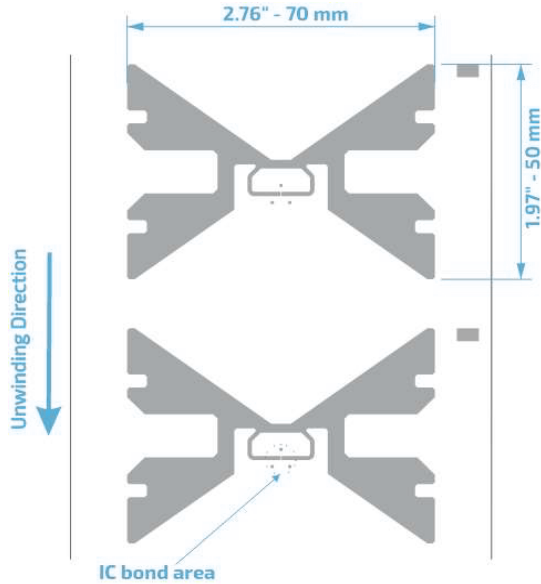


D61 70x50

UHF RFID 860 to 960 MHz

Product Design



Description

Versatile inlay, designed for people control access, luggage tracking, logistics control, and diverse applications.

Market Applications

- Identification badge
- Asset management
- Logistics
- Inventory

Key Benefits

- High performance
- Fast reading
- Traceability
- Loss prevention

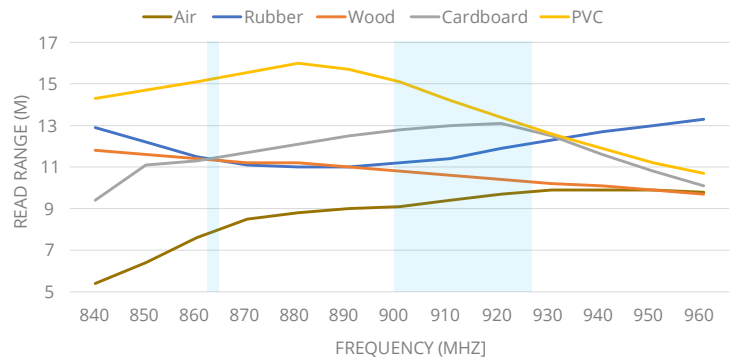
TECHNICAL SPECIFICATION			
Size	Antenna	Register mark	
	70x50 mm	5x3 mm	
Web	96 mm / 3.78"		
Pitch	61.383 mm / 1.03"		
Gap	6.31 mm / 0.24"		
SKU	IN00127	Inlay D61	R6
	IN00122	Inlay D61	R6-P
	IN00123	Inlay D61	R6-B
Standards	RAIN RFID ISO 18000-63 and EPC Global Gen2v2		
Integrated Circuit	R6	TID 96 bits	EPC: 96 bits, User: none
	R6-P	48 uniques	EPC: 96/128 bits, User: 64/32 bits
	R6-B		EPC: 96 bits, User: None
Formats	Dry Inlay, Wet Inlay, Sticker Labels, and RFID tags could be developed according to the necessity		
Substrate	PET with aluminum antenna		
Roll	Qty	Max. Diameter	Core Size
	22,000	< 398,8 mm / < 15,7"	76.2 mm / 3"
Thickness*	62 - 67 microns		
Temperature	-40 °C to 85°C for operation		
	-40 °C to 85/125 °C for storage		

* The thickness excludes the spacer tape.

Structure



Read range



All graphs are generated in laboratory. Real-life performance may vary. Reader power: 29 dBm. Antenna sensitivity: -70 dBm.

Angular Sensitivity

